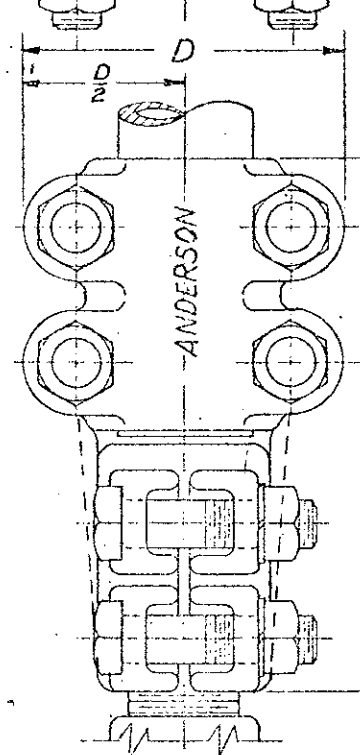
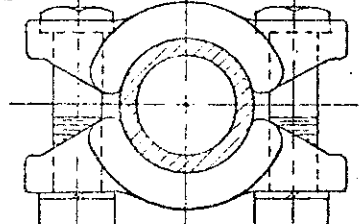


REV. NO. DATE DESCRIPTION BY
 1 2-22-60 ADD ADST-34-34-0 WDR
 2 3-18-60 REV ADST-206 FROM 6 3/4" TO 6 7/8" J.S.P.
 3 4-21-60 REV ADST-1006 FROM 5 1/4" TO 5 7/8" J.S.P.
 4 8-5-74 5 7/8 WAS 5 1/4" ADST-1006-12 R.D.
 5 4-19-79 REVISED FOR CATALOG (DIMS) HBY

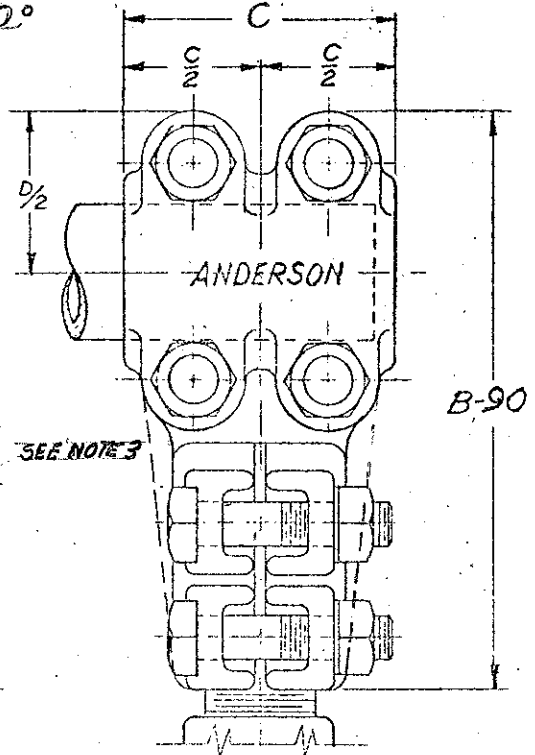
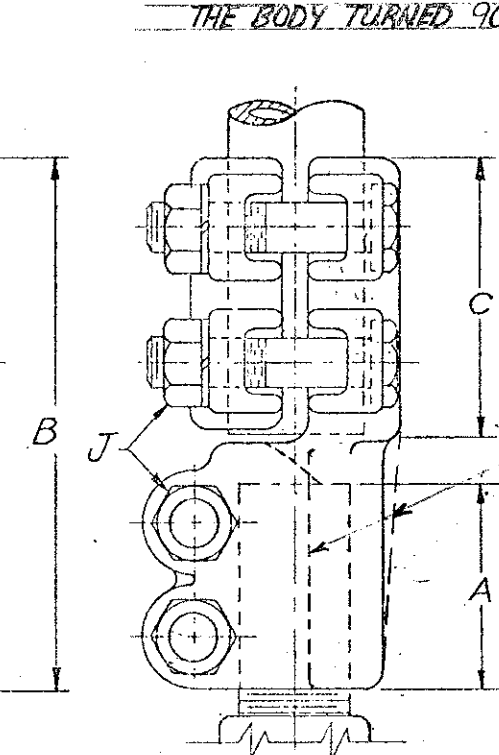
REV. NO.	DATE	DESCRIPTION	BY
1	2-22-60	ADD ADST-34-34-0	WDR
2	3-18-60	REV ADST-206 FROM 6 3/4" TO 6 7/8"	J.S.P.
3	4-21-60	REV ADST-1006 FROM 5 1/4" TO 5 7/8"	J.S.P.
4	8-5-74	5 7/8 WAS 5 1/4" ADST-1006-12	R.D.
5	4-19-79	REVISED FOR CATALOG (DIMS)	HBY

R/12 REV ADST-0406-90-13 APB
 R/13 ADDED NOTE 9 7-31-74 J.J.S.



ADST

NOTES
 1. MATERIAL: CASTINGS-356-T6 ALUMINUM ALLOY.
 HARDWARE-2024T4 ALUMILITE FINISHED.
 NUTS-6061T6 ALUM. WAXED
 LOCK WASHERS-7075T6 ALUM.
 2. STUD THREADS ARE FACTORY INHIBITED
 AND ENTIRE ASSEMBLY IS BAGGED.
 3. RIBS ON CASTINGS WHERE REQUIRED.
 4. ITEMS WITH AN "*" WILL HAVE THE STUD PORTION OF
 THE BODY TURNED 90°



ADST-90

DATE	DESCRIPTION	BY
1-18-57	ADST-1010	J.S.M.
2-17-58	ADD ADST-1114	WDR
3-13-59	ADD ADST-2030-17	WDR

STUD DIA. AND THREADING	TUBE IPS	CATALOG NUMBERS		DIMENSIONS IN INCHES					
		STRAIGHT	90 DEGREES	A	B	B-90	C	D	J
1/2-13	3/4	ADST-0406-13	ADST-0406-90-13	2	5 3/16	5 9/16	2 1/2	3	1/2
1/2-13	1	ADST-0410-13	ADST-0410-90-13	2 1/8	5 7/16	6	2 3/4	3 1/4	1/2
3/4-16	3/4	ADST-0606-16	ADST-0606-90-16	2	5 1/4	5 11/16	2 1/2	3	1/2
3/4-16	1	ADST-0610-16	ADST-0610-90-16	2 1/8	5 7/16	6	2 3/4	3 1/4	1/2
1-14	3/4	ADST-1006-14	ADST-1006-90-14	2	5 1/8	5 11/16	2 1/2	3	1/2
1-14	1	ADST-1010-14	ADST-1010-90-14	2 1/8	5 7/16	5 15/16	2 3/4	3 1/4	1/2
1-14	1 1/4	ADST-1012-14	ADST-1012-90-14	2	5 11/16	6 5/16	3	3 5/8	1/2
1 1/8-12	3/4	ADST-1106-12	ADST-1106-90-12	2	5 1/4	5 9/16	2 1/2	3	1/2
1 1/8-12	1	ADST-1110-12	ADST-1110-90-12	2 1/8	5 1/2	6 1/16	2 3/4	3 1/4	1/2
1 1/8-12	1 1/4	ADST-1112-12	ADST-1112-90-12	2	5 3/4	6 3/16	3	3 5/8	1/2
1 1/4-12	3/4	ADST-1206-12	ADST-1206-90-12	2	5 3/8	5 3/4	2 1/2	3	1/2
1 1/4-12	1	ADST-1210-12	ADST-1210-90-12	2	5 7/16	6 1/16	2 3/4	3 1/4	1/2
1 1/4-12	1 1/4	ADST-1212-12	ADST-1212-90-12	2	5 1/2	6 3/8	2 3/4	3 9/16	1/2
1 1/4-12	1 1/2	ADST-1214-12	ADST-1214-90-12	2	5 1/2	6 5/8	2 3/4	3 13/16	1/2

DATE 1-18-57
 DWN BY WBS
 CKD BY KS
 APPROVED
 SCALE

ALUMINUM STUD CONNECTOR
 STUD TO TUBE
 STRAIGHT OR 90° DEGREE

ANDERSON ELECTRIC CORP. SH. 10E4
 BIRMINGHAM ALABAMA
 ADST
 CAT. NO. ADST-90
 DWG. NO. C-1336

STUD DIA. AND THREADING	TUBE IPS	CATALOG NUMBERS		DIMENSIONS IN INCHES					
		STRAIGHT	90 DEGREES	A	B	B-90	C	D	J
1/2-12	3/4	ADST-1406-12	ADST-1406-90-12	2	5 1/4	5 9/16	2 1/2	3	1/2
1/2-12	1	ADST-1410-12	ADST-1410-90-12	2	5 1/2	5 13/16	2 3/4	3 1/4	1/2
1/2-12	1 1/4	ADST-1412-12	ADST-1412-90-12	2	5 3/4	6 3/8	3	3 5/8	1/2
1/2-12	1 1/2	ADST-1414-12	ADST-1414-90-12	2	6	6 9/16	3 1/4	3 13/16	1/2
1/2-12	2	ADST-1420-12	ADST-1420-90-12	2	6 3/8	6 15/16	3 1/2	4 5/16	1/2
1 3/4-12	1	ADST-1610-12	ADST-1610-90-12	2	5 1/2	6	2 3/4	3 1/4	1/2
1 3/4-12	1 1/4	ADST-1612-12	ADST-1612-90-12	2	5 11/16	6 3/8	3	3 5/8	1/2
1 3/4-12	1 1/2	ADST-1614-12	ADST-1614-90-12	2	6	6 5/8	3 1/4	3 13/16	1/2
1 3/4-12	2	ADST-1620-12	ADST-1620-90-12	2	6 3/16	6 15/16	3 1/2	4 5/16	1/2
2-12	1 1/4	ADST-2012-12	ADST-2012-90-12	2	6	6 5/8	3	3 5/8	1/2
2-12	1 1/2	ADST-2014-12	ADST-2014-90-12	2	6	6 9/16	3 1/4	3 13/16	1/2
2-12	2	ADST-2020-12	ADST-2020-90-12	1 7/8	6 3/8	7 1/8	3 1/2	4 5/16	1/2
2-12	2 1/2	ADST-2024-12	ADST-2024-90-12	2	6 7/8	7 1/16	3 3/4	4 13/16	1/2
2 1/4-12	1 1/4	ADST-2212-12	ADST-2212-90-12	2	5 3/4	6 5/8	3	3 5/8	1/2
2 1/4-12	1 1/2	ADST-2214-12	ADST-2214-90-12	2	6 1/4	6 13/16	3 1/4	3 13/16	1/2
2 1/4-12	2	ADST-2220-12	ADST-2220-90-12	2	6 1/4	7 3/16	3 1/2	4 5/16	1/2
2 1/4-12	2 1/2	ADST-2224-12	ADST-2224-90-12	2	6 1/2	7 5/8	3 3/4	4 13/16	1/2
2 1/2-12	1 1/2	ADST-2414-12	ADST-2414-90-12	2 1/2	6 19/32	7 3/16	3 1/4	3 13/16	1/2
2 1/2-12	2	ADST-2420-12	ADST-2420-90-12	2 3/8	6 3/4	7 9/16	3 1/2	4 5/16	1/2
2 1/2-12	2 1/2	ADST-2424-12	ADST-2424-90-12	2 3/8	7	8 1/16	3 3/4	4 13/16	1/2
2 1/2-12	3	ADST-2430-12	ADST-2430-90-12	2 3/8	7 1/4	8 13/16	4	5 7/16	1/2
3-12	2	ADST-3020-12	ADST-3020-90-12	3	7 1/2	8 5/16	3 1/2	4 5/16	1/2
3-12	2 1/2	ADST-3024-12	ADST-3024-90-12	2 7/8	7 5/8	8	3 3/4	4 13/16	5/8 STUD 1/2 TUBE
3-12	3	ADST-3030-12	ADST-3030-90-12	2 7/8	7 7/8	9 1/16	4	5 13/16	5/8
3-12	3 1/2	ADST-3034-12	ADST-3034-90-12	2 3/8	7 1/2	9 5/8	4 1/4	6 5/16	5/8
3-12	4	ADST-3040-12	ADST-3040-90-12	2 7/8	8 1/8	10 1/4	4 1/4	6 15/16	5/8
3 1/4-12	2 1/2	ADST-3224-12	ADST-3224-90-12	2 3/8	7	8 1/2	3 3/4	5 3/16	5/8
3 1/4-12	3	ADST-3230-12	ADST-3230-90-12	2 3/8	7 1/4	9 1/8	4	5 13/16	5/8
3 1/4-12	3 1/2	ADST-3234-12	ADST-3234-90-12	2 3/8	7 1/2	9 5/8	4 1/4	6 5/16	5/8
3 1/4-12	4	ADST-3240-12	ADST-3240-90-12	2 7/8	8 1/4	10 7/8	4 1/4	6 15/16	5/8
3 1/2-12	2 1/2	ADST-3424-12	ADST-3424-90-12	2 3/8	7	8 1/2	3 3/4	5 3/16	5/8
3 1/2-12	3	ADST-3430-12	ADST-3430-90-12	3 1/8	8 1/8	9 3/16	4	5 13/16	5/8
3 1/2-12	3 1/2	ADST-3434-12	ADST-3434-90-12	2 3/8	7 1/2	9 5/8	4 1/4	6 5/16	5/8
3 1/2-12	4	ADST-3440-12	ADST-3440-90-12	2 3/8	7 1/2	10 3/8	4 1/4	6 15/16	5/8
4-12	2 1/2	ADST-4024-12	ADST-4024-90-12	2 3/8	7	8 1/2	3 3/4	5 3/16	5/8
4-12	3	ADST-4030-12	ADST-4030-90-12	2 3/8	7 1/4	9 1/8	4	5 13/16	5/8
4-12	3 1/2	ADST-4034-12	ADST-4034-90-12	2 3/8	7 1/2	9 5/8	4 1/4	6 5/16	5/8

R/23 9-25-78 J.J.S.
 2220-90-12-90 WAS 7/8
 R/24 6-27-79 HBY
 REVISED ADST-2012-12
 TO MATCH DRAWING
 J.J.S.

REVISIONS
 NO. DATE DESCRIPTION BY
 19 5-7-70 REVISED & REDRAWN D.W.
 20 5-18-72 ADST-3024-12 A WAS 2 3/8
 B WAS 7 D WAS 5 1/16 J WAS 3/8 D.J.
 21 7-14-76 ADST-2214-12 BFB-90 WERE 6 1/2
 ADST-1620-12 BFB-90 WERE 6 1/2
 ADST-1620-12 BFB-90 WERE 6 1/2
 22 8-8-78

R/26 3-12-81
 REVISED ADST-3024-12 & 90
 TO MATCH DWG. HBY

DATE 1-18-57
 DWN BY WDS CKD BY KS
 APPROVED
 SCALE

ALUMINUM STUD CONNECTOR
 STUD TO TUBE
 STRAIGHT OR 90 DEGREE

R/3223-2425
 26 44 ANDERSON ELECTRIC CORP.
 BIRMINGHAM ALABAMA
 ADST
 CAT. NO. ADST-90 DWG. NO. C-1336
 SHEET 2 OF 4

STUD DIA	TUBE SIZE	CATALOG NUMBER		DIMENSIONS IN INCHES					
		STRAIGHT	90 DEGREE	A	B	B-90	C	D	J
4-12	4	ADST-4040-12	ADST-4040-90-12	3 3/4	9	11 3/4	4 1/4	6 5/16	5/8
1 1/8-12	1 1/2	ADST-1114-12	ADST-1114-90-12	2	6	6 1/2	3 1/4	3 13/16	1/2
2-12	3	ADST-2030-12	ADST-2030-90-12	2	7	8 3/16	4	5 7/16	1/2
3 1/2-0	3 1/2	ADST-3434-0	ADST-3434-90-12	2 3/8	7 1/2	9 5/8	4 1/4	6 5/16	5/8
1 1/8-12	4	ADST-1140-12	ADST-1140-90-12	2	6 7/8	9 3/8	4 1/4	6 3/16	1/2
1-14	4	ADST-1020-14		2	6 1/4		3 1/2	4 5/16	1/2
4-10	2	ADST-4020-10	ADST-4020-90-10	4	8 1/8	9	3 1/2	4 5/16	1/2
1-8	3	ADST-1030-8	ADST-1030-90-8	2	6 1/16	8	4	5 7/16	1/2
2-12	1	ADST-2010-12		2	5 19/32		2 7/8	3 1/4	1/2
2-12	1 1/2		ADST-2014-90-12	2		6 17/32	3 1/4	3 13/16	1/2
2-12	4	ADST-2040-12	ADST-2040-90-12	2 1/4	7 1/2		4 1/4	6 5/16	5/8
3/4-12	3/4	ADST-0606-12		2	5 1/4		2 1/2	3	1/2
1 1/2-12	2 1/2	ADST-1424-12	ADST-1424-90-12	2 1/4	6 7/16	7 1/2	3 3/4	4 13/16	1/2
1 1/8-12	2	ADST-1120-12		2	6 1/4		4	4 5/16	1/2
1 1/8-12	2 1/2	ADST-1124-12	ADST-1124-90-12	2 1/8	6 9/16	7 5/8	3 3/4	4 13/16	1/2
4-10	6	ADST-4060-10		3 5/8	10 5/8		6	9	5/8
3 1/8-0	4	ADST-3140-0	ADST-3140-90-12	2 7/8	8 1/8	10 13/16	4 1/4	6 5/16	5/8
1 1/2-12	3	ADST-1430-12	ADST-1430-90-12	2	7	8 1/8	4	5 7/16	1/2
3-12	6	ADST-3060-12		2 7/8	10 3/32		6	9	5/8
1 3/4-12	3	ADST-1630-12	ADST-1630-90-12	2	6 1/16	8 1/8	4	5 7/16	1/2
1-12	1	ADST-1010-12	ADST-1010-90-12	2	5 7/16	5 15/16	2 3/4	3 1/4	1/2
2 1/2-12	5	ADST-2450-12	ADST-2450-90-12	2 3/8	8 11/32	11 9/32	5	7 5/16	5/8
3-12	5	ADST-3050-12		2 7/8	8 7/8		5	7 5/16	5/8
2 1/8-0	2	ADST-2120-12		1 7/8	6 11/32		3 1/2	4 5/16	1/2
1"-12	1 1/4"	ADST-1012-12		2	5 11/16		3	3 5/8	1/2
3.811-12	6	ADST-3.8160-12	ADST-3.8160-90-12	3 5/8	10 1/16	13 1/8	6	9 1/16	5/8
3.81-0	6		ADST-3.81-60-90-0	3 5/8		13 23/32	6	9 1/16	5/8
6.314-0	4	ADST-6.314-00		5 1/2	10 23/32		4 1/4	6 5/16	5/8
1 1/4"-12	2	ADST-1220-12	ADST-1220-90-12*	2	6 3/16	7 1/8	3 1/2	4 5/16	1/2
3/4-12	3 1/2	ADST-1634-12		2	7 3/16		4 1/4	5 15/16	1/2
1 1/4-12	2 1/2	ADST-1224-12		2	6 5/8		3 3/4	4 13/16	1/2
2-12	3 1/2	ADST-2034-12	ADST-2034-90-12	2	7 1/32	9 3/32	4 1/4	6 5/16	1/2 5/8
1 3/4-12	4	ADST-1640-12	ADST-1640-12	2	7 1/2	9 3/8	4 1/4	6 9/16	1/2
3.81-12	5		ADST-3.81-50-90-12	3 3/4		12 3/4	5	7 15/16	5/8
1/2"-13	1/2	ADST-0404-13		2 1/8	5 3/16	-	2 1/2	2 1/16	1/2

REVISIONS	BY	DESCRIPTION	NO.	DATE
REVISIONS	BY	DESCRIPTION	NO.	DATE

R/41

DATE 1-18-57
 DWN BY WS CKD BY KS
 APPROVED
 SCALE

ALUM STUD CONNECTOR
 STUD TO TUBE
 STRAIGHT OR 90 DEGREE

ANDERSON ELECTRIC CORP.
 LEEDS ALABAMA
 CAT. NO. ADST
 DWG. NO. C-1336


I.C.R. NUMBER	STUD DIA. AND THREAD SIZE	TUBE (IPS SIZE)	CATALOG NUMBER		DIMENSIONS IN INCHES					
			STRAIGHT	90-DEG.	A	B	B-90	C	D	J
			9	3/4"-12	2 1/2	ADST-1624-12		2 1/8	6 9/16	
	1"-16	3/4	ADST-1006-16	ADST-1006-90-16	2	5 1/8	5 1/16	2 1/2	3	1/2

I.C.R. NUMBER	DATE	NO.	DESCRIPTION	BY	REVISIONS
5					
4					
3					
2					
1	11-4-85	1	ADD SA. 4. 5 ADST-1624-12	HJY	
	8-14-87	2	ADDED 1"-1006-16"	JAP	

DATE 11-4-85
 DWN BY HJY CKD BY
 APPROVED
 SCALE

ALUMINUM STUD CONNECTOR
 STUD TO TUBE
 STRAIGHT OR 90 DEGREES

R/QX 44

 **ANDERSON**
 ELECTRICAL CONNECTORS
 SQUARE D COMPANY
 LEEDS ALABAMA

CAT. NO. ADST DWG. NO. C-1336